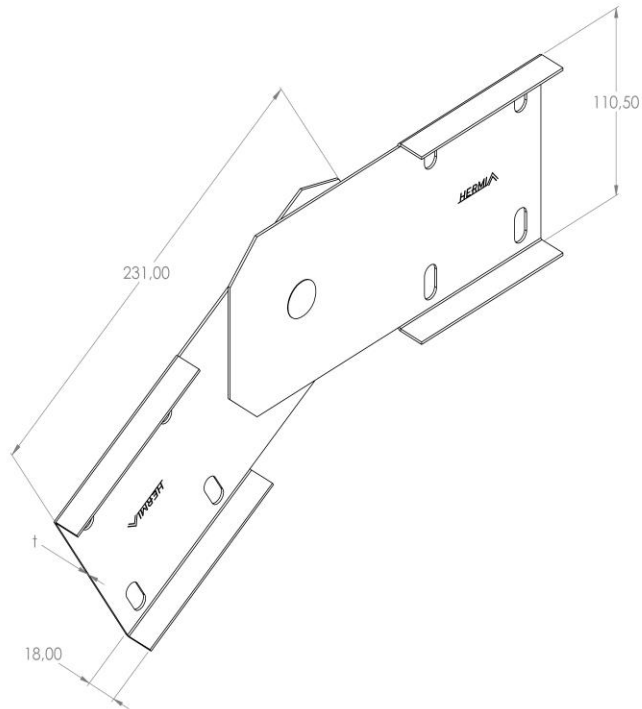


**Product:** PKL-GS HD 100

**Product code:** 88711872

Flexible connection of cable ladders



|                                    |                                                                              |
|------------------------------------|------------------------------------------------------------------------------|
| <b>Standard:</b>                   | EN 61537:2007 Cable management - Cable tray systems and cable ladder systems |
| <b>Dimensions:</b>                 | Length: 231 mm                                                               |
|                                    | Width: 18 mm                                                                 |
|                                    | Height: 110,5 mm                                                             |
|                                    | Metal thickness: 1,5 mm                                                      |
| <b>Weight:</b>                     |                                                                              |
| <b>Material:</b>                   | Galvanised steel                                                             |
| <b>Contribution to fire:</b>       | Non-flame propagating system                                                 |
| <b>Electrical characteristics:</b> | Electrically conductive system                                               |
| <b>Electrical continuity:</b>      | Yes                                                                          |
| <b>Corrosion resistance:</b>       | Class 3                                                                      |
| <b>Temperature:</b>                | Min: -20°C; Max: +105°C                                                      |