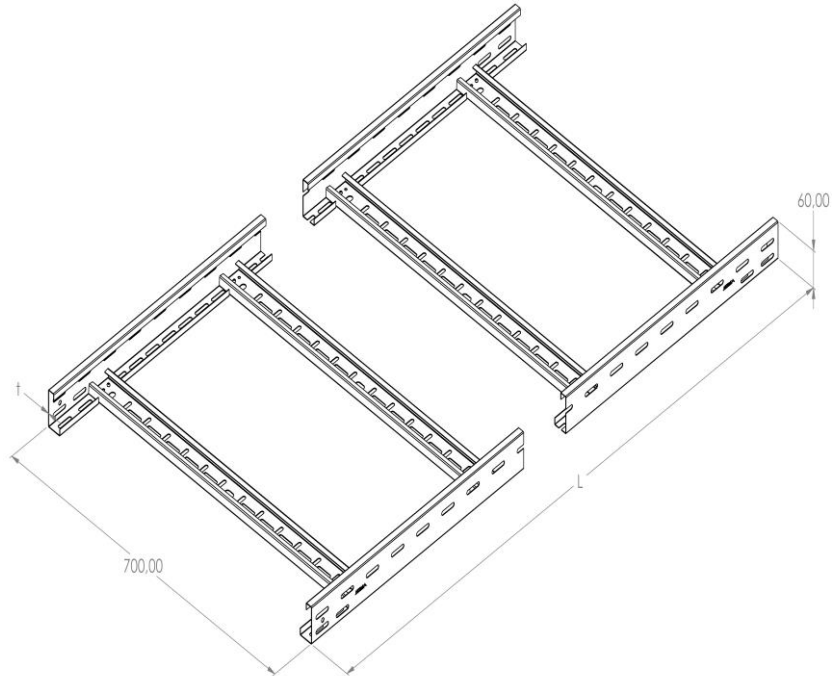


Product: KL 60/700

Product code: 88710417

Cable ladders of 60 mm in height



Standard:	EN 61537:2007 Cable management - Cable tray systems and cable ladder systems
Dimensions:	Length: 3000 mm
	Width: 700 mm
	Height: 60 mm
	Metal thickness: 1 mm
Weight:	9,5 kg
Material:	Acid resistant stainless steel
Contribution to fire:	Non-flame propagating system
Electrical characteristics:	Electrically conductive system
Electrical continuity:	Yes
Corrosion resistance:	Class 9B
Perforation:	Class Y
Temperature:	Min: -20°C; Max: +105°C