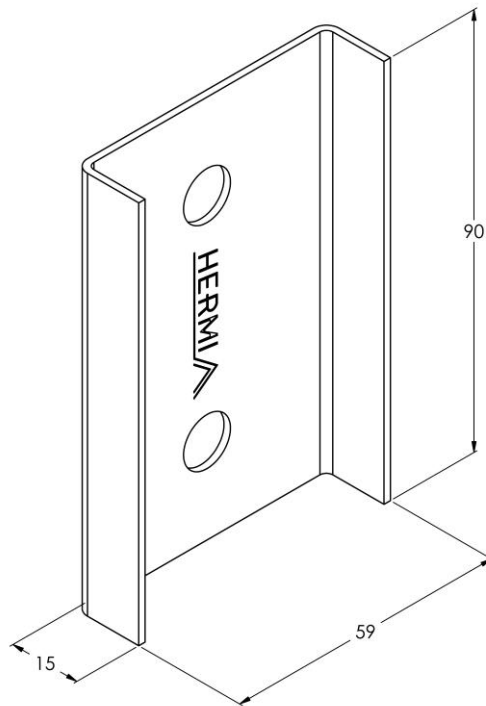


Product: NKP-VE 11C/OMEGA

Product code: 88709418

Connecting element



Standard:	EN 61537:2007 Cable management - Cable tray systems and cable ladder systems
Dimensions:	Length: 90 mm
	Width: 59 mm
	Height: 15 mm
	Metal thickness: 1,5 mm
Maximum load:	
Weight:	
Material:	Acid resistant stainless steel
Contribution to fire:	Non-flame propagating system
Electrical characteristics:	Electrically conductive system
Electrical continuity:	Yes
Corrosion resistance:	Class 9B
Temperature:	Min: -20°C; Max: +105°C