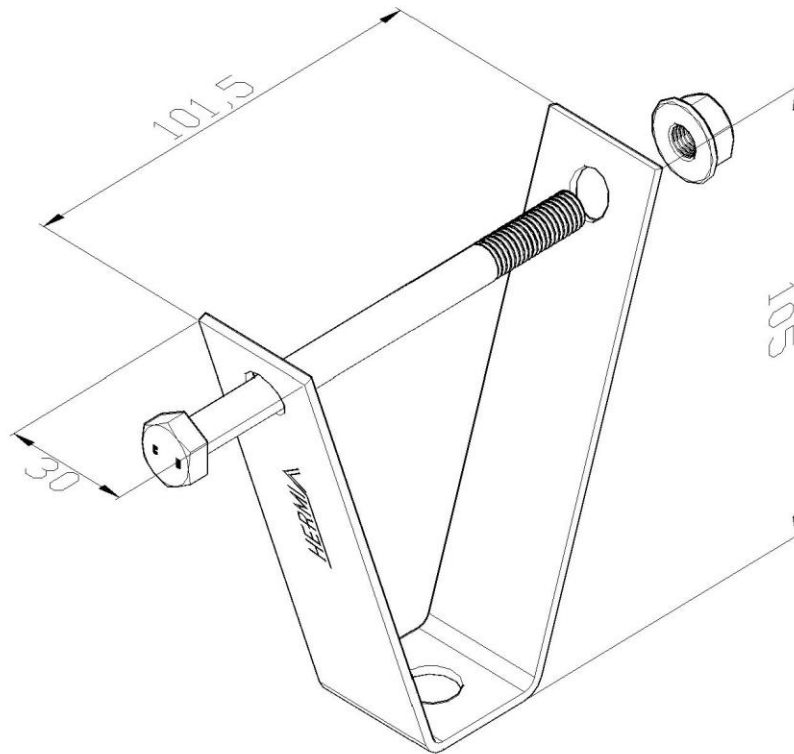


Product: NKP-VTN

Product code: 88709413

Hanging trapeze bracket



Standard:	EN 61537:2007 Cable management - Cable tray systems and cable ladder systems
Dimensions:	Length: 101,5 mm
	Width: 30 mm
	Height: 105 mm
	Metal thickness: 2 mm
Maximum load:	
Weight:	0,16 kg
Material:	Acid resistant stainless steel
Contribution to fire:	Non-flame propagating system
Electrical characteristics:	Electrically conductive system
Electrical continuity:	Yes
Corrosion resistance:	Class 9B
Temperature:	Min: -20°C; Max: +105°C