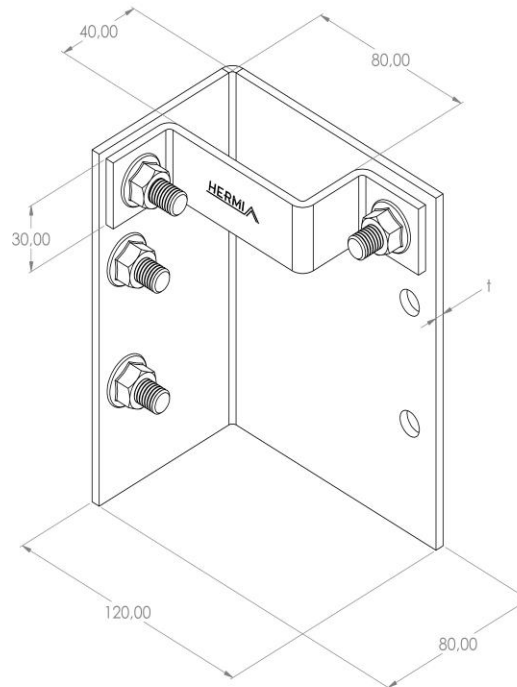


Product: NPK-OB 80/40

Product code: 88708300

Pillar clamp



Standard:	EN 61537:2007 Cable management - Cable tray systems and cable ladder systems
Dimensions:	Length: 40 mm
	Width: 80 mm
	Height: 30 mm
	Metal thickness: 4 mm
Maximum load:	
Weight:	1,3 kg
Material:	Stainless steel
Contribution to fire:	Non-flame propagating system
Electrical characteristics:	Electrically conductive system
Electrical continuity:	Yes
Corrosion resistance:	Class 9A
Temperature:	Min: -20°C; Max: +105°C