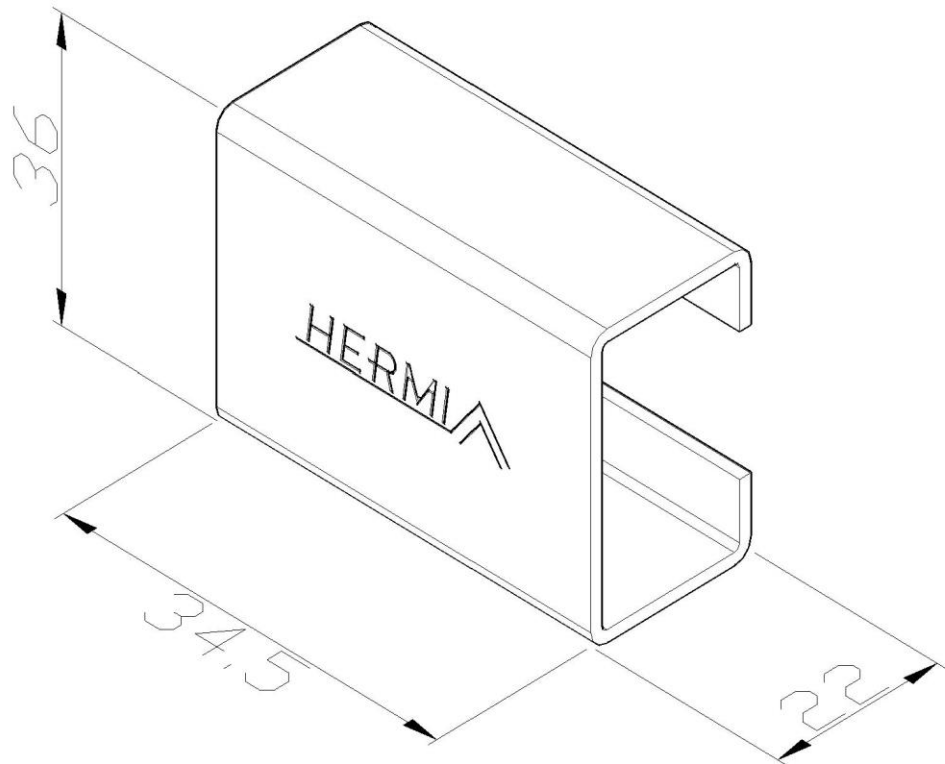


Product: NKP-VE 01 DH40

Product code: 88707330

Connecting element/spacer



Standard:	EN 61537:2007 Cable management - Cable tray systems and cable ladder systems
Dimensions:	Length: 34,5 mm
	Width: 22 mm
	Height: 36 mm
	Metal thickness: 1,5 mm
Maximum load:	
Weight:	
Material:	Galvanised steel
Contribution to fire:	Non-flame propagating system
Electrical characteristics:	Electrically conductive system
Electrical continuity:	Yes
Corrosion resistance:	Class 3
Temperature:	Min: -20°C; Max: +105°C