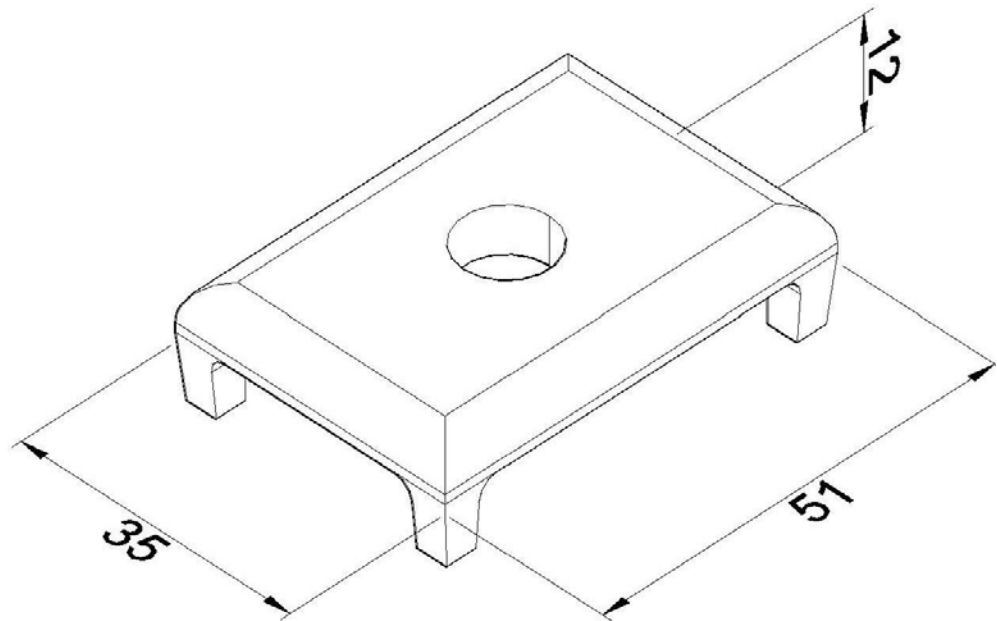


Product: NKP

Product code: 88707242

Holding bracket B 41/10



Standard:	EN 61537:2007 Cable management - Cable tray systems and cable ladder systems
Dimensions:	Length: 51 mm
	Width: 35 mm
	Height: 12 mm
	Metal thickness: mm
Maximum load:	
Weight:	0,07 kg
Material:	Galvanised steel
Contribution to fire:	Non-flame propagating system
Electrical characteristics:	Electrically conductive system
Electrical continuity:	Yes
Corrosion resistance:	Class 3
Temperature:	Min: -20°C; Max: +105°C