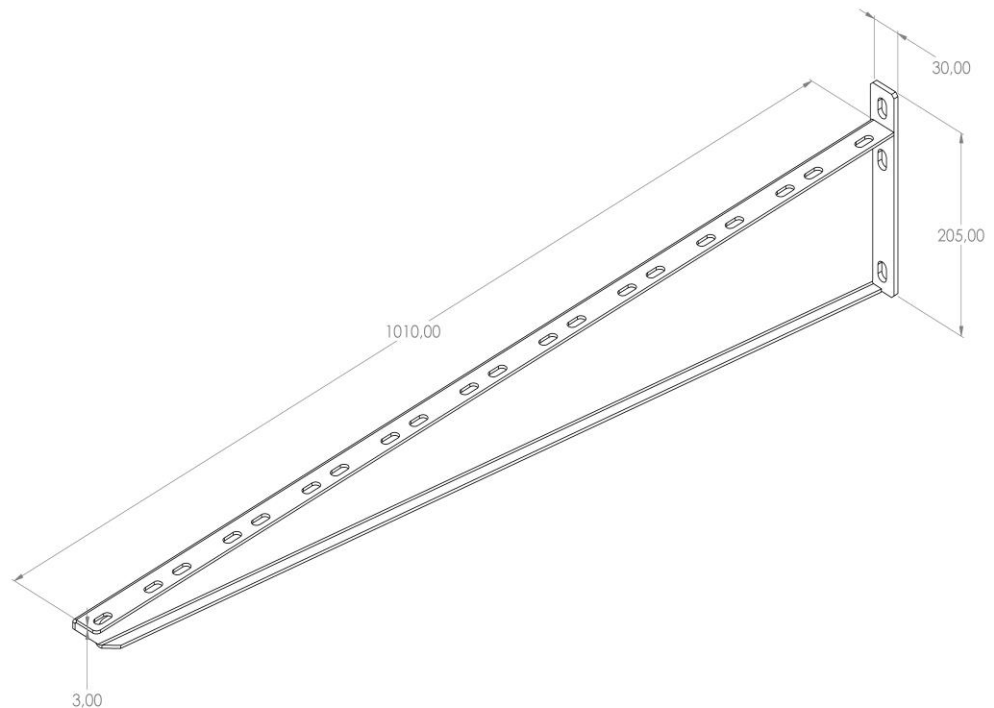


Product: NKP-SNV HD 1010

Product code: 88707161

Welded wall bracket



Standard:	EN 61537:2007 Cable management - Cable tray systems and cable ladder systems
Dimensions:	Length: 1010 mm
	Width: 30 mm
	Height: 205 mm
	Metal thickness: 3 mm
Maximum load:	2 kN
Weight:	3,5 kg
Material:	Galvanised steel
Contribution to fire:	Non-flame propagating system
Electrical characteristics:	Electrically conductive system
Electrical continuity:	Yes
Corrosion resistance:	Class 3
Temperature:	Min: -20°C; Max: +105°C