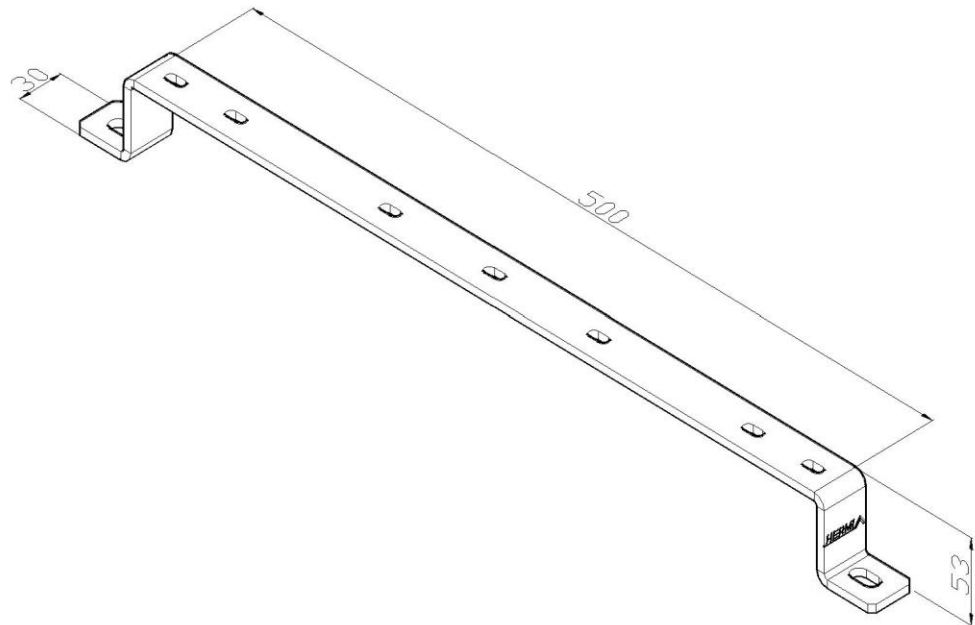


**Product:** NKP-TN 500

**Product code:** 88704635

Floor bracket



<b>Standard:</b>	EN 61537:2007 Cable management - Cable tray systems and cable ladder systems
<b>Dimensions:</b>	Length: 500 mm
	Width: 30 mm
	Height: 53 mm
	Metal thickness: 5 mm
<b>Maximum load:</b>	
<b>Weight:</b>	0,81 kg
<b>Material:</b>	Hot-dip galvanised steel
<b>Contribution to fire:</b>	Non-flame propagating system
<b>Electrical characteristics:</b>	Electrically conductive system
<b>Electrical continuity:</b>	Yes
<b>Corrosion resistance:</b>	Class 6
<b>Temperature:</b>	Min: -20°C; Max: +105°C