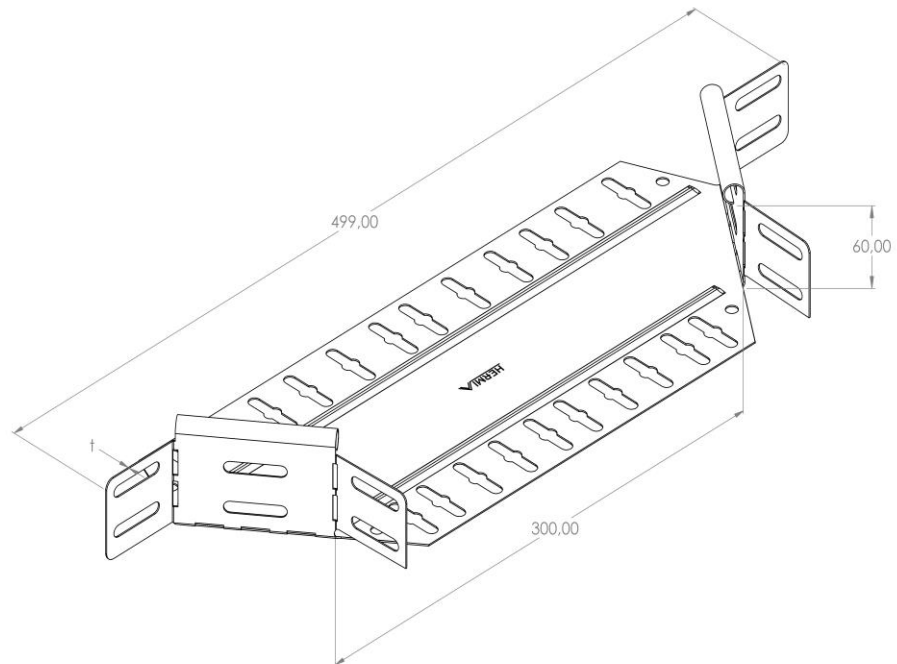


Product: PKP-OE 60/300

Product code: 88704475

Add-on tee



| | |
|------------------------------------|--|
| Standard: | EN 61537:2007 Cable management - Cable tray systems and cable ladder systems |
| Dimensions: | Length: mm |
| | Width: 300/499 mm |
| | Height: 60 mm |
| | Metal thickness: 0,80 mm |
| Weight: | 0,41 kg |
| Material: | Acid resistant stainless steel |
| Contribution to fire: | Non-flame propagating system |
| Electrical characteristics: | Electrically conductive system |
| Electrical continuity: | Yes |
| Corrosion resistance: | Class 9B |
| Temperature: | Min: -20°C; Max: +105°C |