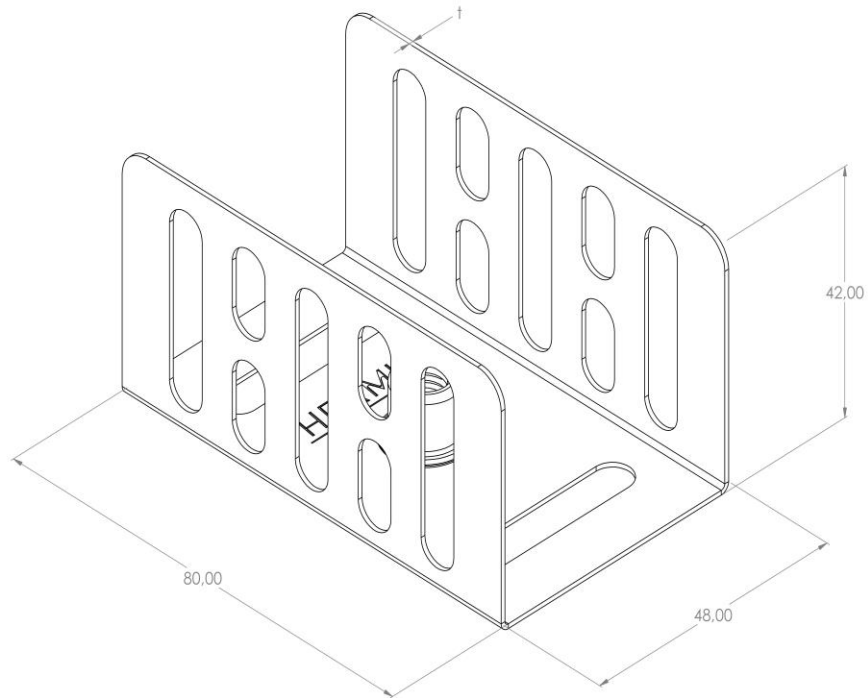


Product: NPK-VN 50

Product code: 88704415

Hanging bracket



Standard:	EN 61537:2007 Cable management - Cable tray systems and cable ladder systems
Dimensions:	Length: 48 mm
	Width: 80 mm
	Height: 42 mm
	Metal thickness: 0,8 mm
Maximum load:	
Weight:	0,09 kg
Material:	Acid resistant stainless steel
Contribution to fire:	Non-flame propagating system
Electrical characteristics:	Electrically conductive system
Electrical continuity:	Yes
Corrosion resistance:	Class 9B
Temperature:	Min: -20°C; Max: +105°C