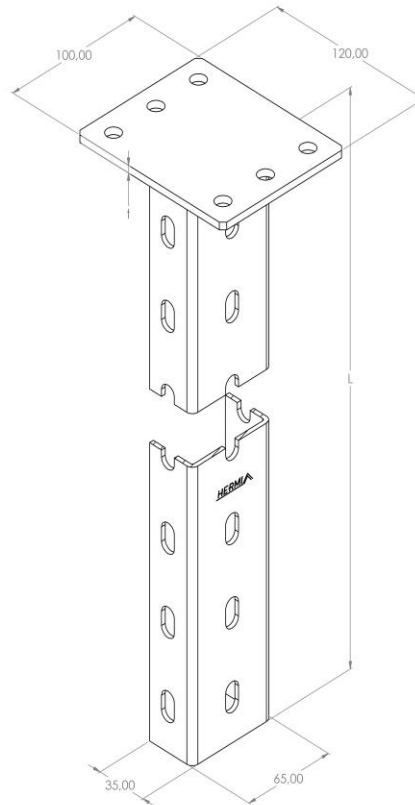


**Product:** NKP-VNV 1500

**Product code:** 88704119

Welded hanging bracket



|                                    |                                                                              |
|------------------------------------|------------------------------------------------------------------------------|
| <b>Standard:</b>                   | EN 61537:2007 Cable management - Cable tray systems and cable ladder systems |
| <b>Dimensions:</b>                 | Length: 100 mm                                                               |
|                                    | Width: 120 mm                                                                |
|                                    | Height: 1500 mm                                                              |
|                                    | Metal thickness: 5 mm                                                        |
| <b>Maximum bending moment:</b>     | 1,85 kNm                                                                     |
| <b>Weight:</b>                     | 4,4 kg                                                                       |
| <b>Material:</b>                   | Galvanised steel                                                             |
| <b>Contribution to fire:</b>       | Non-flame propagating system                                                 |
| <b>Electrical characteristics:</b> | Electrically conductive system                                               |
| <b>Electrical continuity:</b>      | Yes                                                                          |
| <b>Corrosion resistance:</b>       | Class 3                                                                      |
| <b>Temperature:</b>                | Min: -20°C; Max: +105°C                                                      |