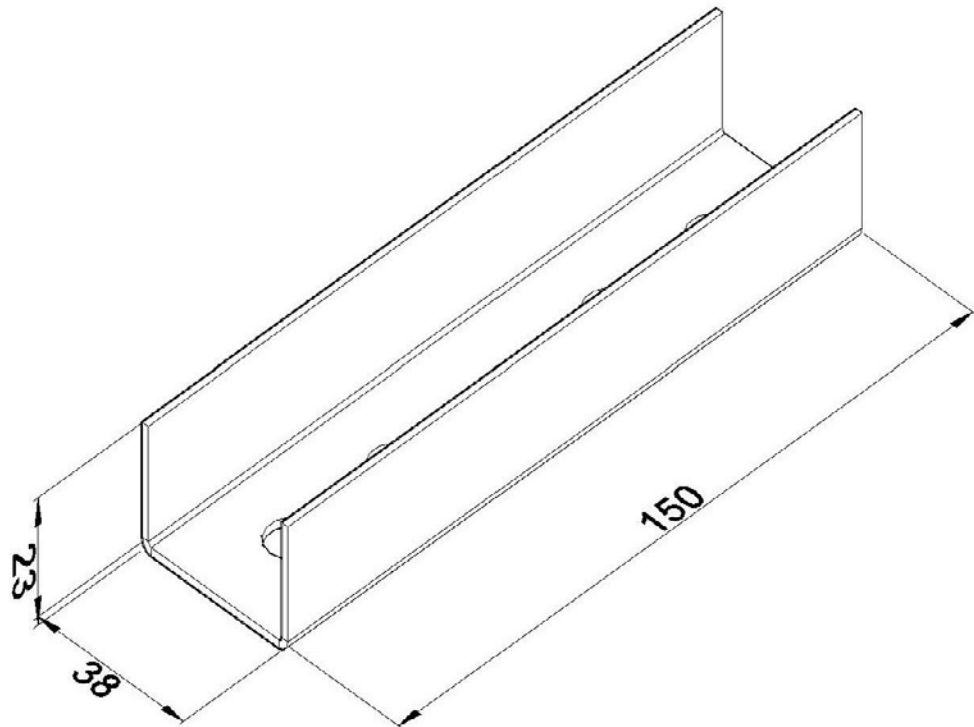


Product: PKP-FS UL

Product code: 88703501

Fixed coupling element



Standard:	EN 61537:2007 Cable management - Cable tray systems and cable ladder systems
Dimensions:	Length: 150 mm
	Width: 38 mm
	Height: 23 mm
	Metal thickness: 1,5 mm
Weight:	0,13 kg
Material:	Powder coated galvanised steel in the colours according to the RAL scale
Contribution to fire:	Non-flame propagating system
Electrical characteristics:	Electrically conductive system
Electrical continuity:	Yes
Corrosion resistance:	Class 3
Temperature:	Min: -20°C; Max: +105°C