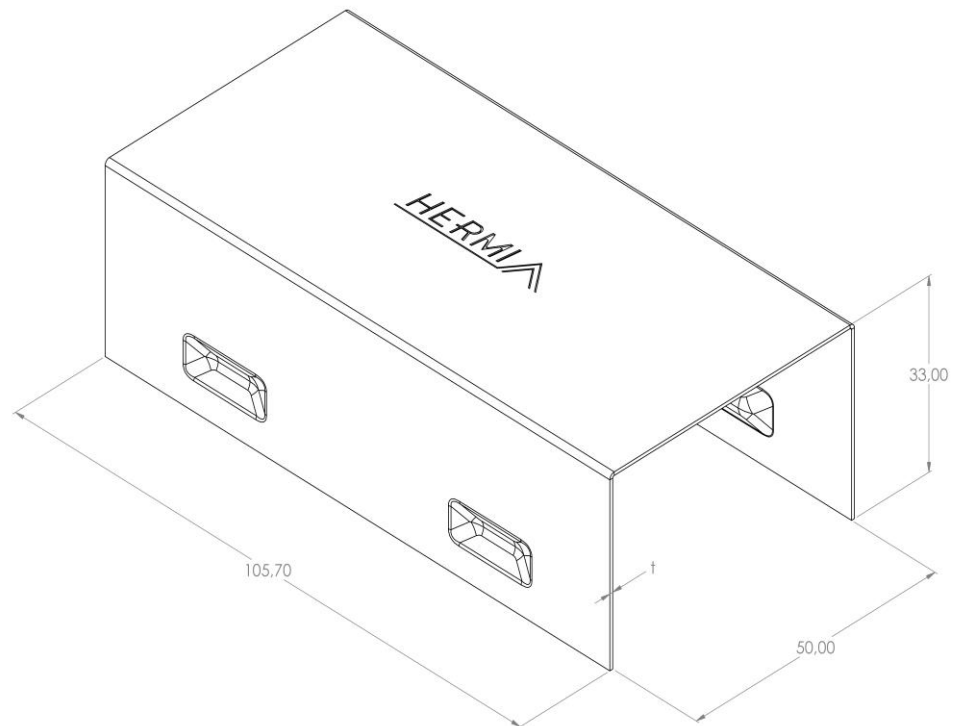


**Product:** PKP-NKP 50

**Product code:** 88703421

Internal elbow cover 90°



|                                    |  |
|------------------------------------|--|
| <b>Standard:</b>                   | EN 61537:2007 Cable management - Cable tray systems and cable ladder systems |
| <b>Dimensions:</b>                 | Length: 105,7 mm   |
|                                    | Width: 50 mm   |
|                                    | Height: 33 mm  |
|                                    | Metal thickness: 0,60 mm   |
| <b>Weight:</b>                     | 0,06 kg  |
| <b>Material:</b>                   | Powder coated galvanised steel in the colours according to the RAL scale     |
| <b>Contribution to fire:</b>       | Non-flame propagating system   |
| <b>Electrical characteristics:</b> | Electrically conductive system   |
| <b>Electrical continuity:</b>      | Yes  |
| <b>Corrosion resistance:</b>       | Class 3  |
| <b>Temperature:</b>                | Min: -20°C; Max: +105°C  |