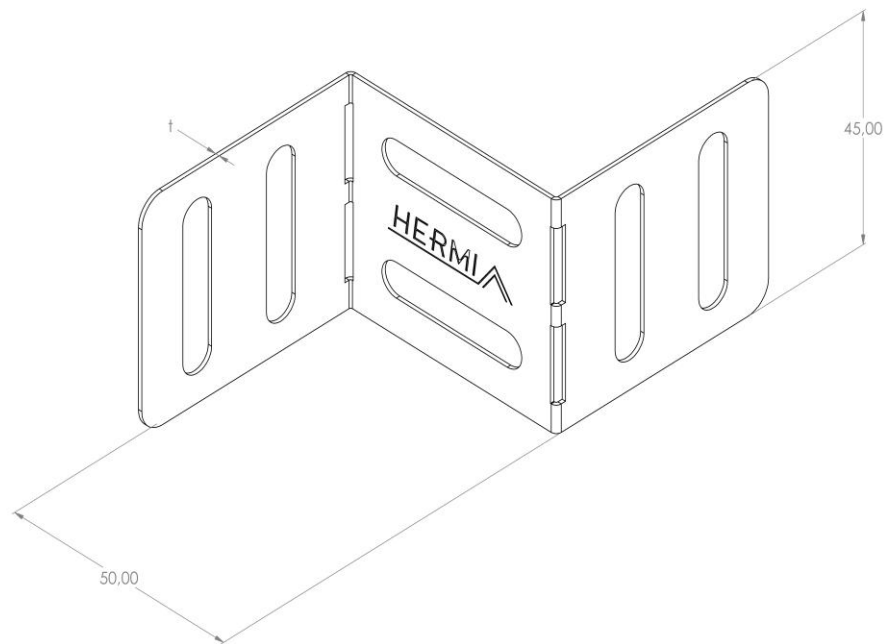


Product: PKP-ZRE 60/AB/50

Product code: 88703390

»Z« reduction element



Standard:	EN 61537:2007 Cable management - Cable tray systems and cable ladder systems
Dimensions:	Length: mm
	Width: Reduced width 50 mm
	Height: 45 mm
	Metal thickness: 0,80 mm
Weight:	0,04 kg
Material:	Powder coated galvanised steel in the colours according to the RAL scale
Contribution to fire:	Non-flame propagating system
Electrical characteristics:	Electrically conductive system
Electrical continuity:	Yes
Corrosion resistance:	Class 3
Temperature:	Min: -20°C; Max: +105°C