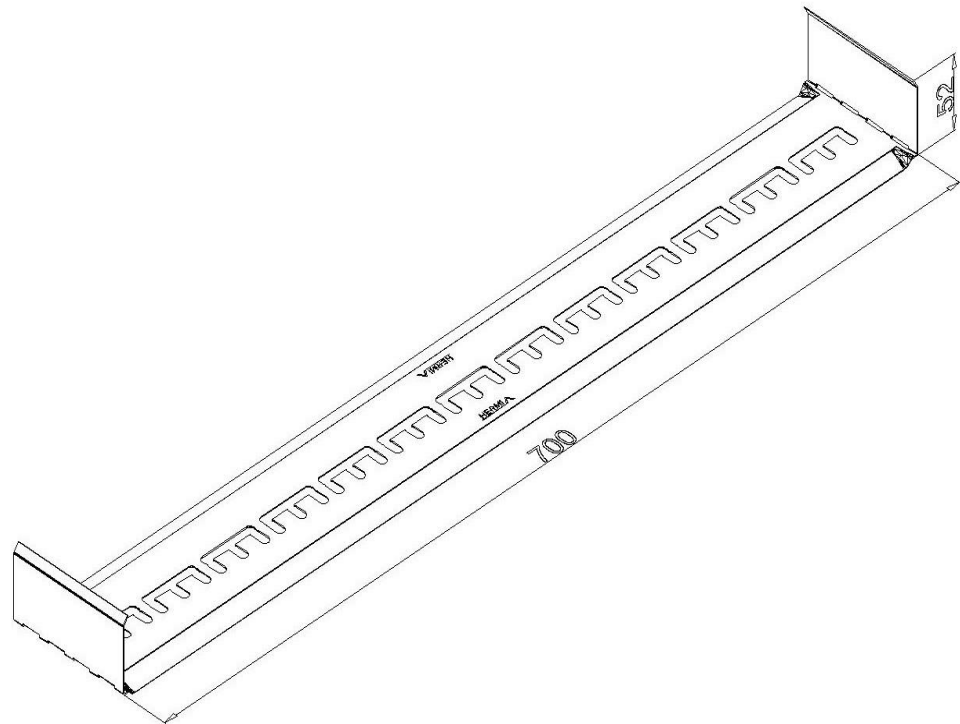


**Product:** PKP-PEK 60/700

**Product code:** 88702507

Element for attaching electrical cables in cable trays



<b>Standard:</b>	EN 61537:2007 Cable management - Cable tray systems and cable ladder systems
<b>Dimensions:</b>	Length: 700 mm
	Width: 100 mm
	Height: 52 mm
	Metal thickness: 0,80 mm
<b>Weight:</b>	0,48 kg
<b>Material:</b>	Stainless steel
<b>Contribution to fire:</b>	Non-flame propagating system
<b>Electrical characteristics:</b>	Electrically conductive system
<b>Electrical continuity:</b>	Yes
<b>Corrosion resistance:</b>	Class 9A
<b>Temperature:</b>	Min: -20°C; Max: +105°C