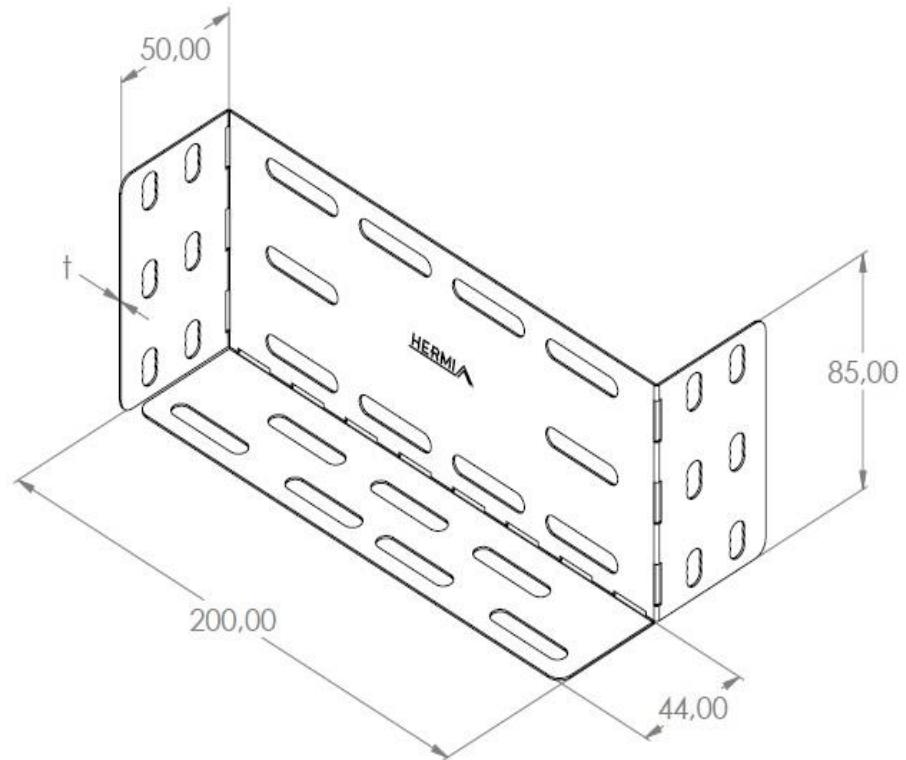


Product: PKP-ZRE 100/AB/200

Product code: 88702298

»Z« reduction element



Standard:	EN 61537:2007 Cable management - Cable tray systems and cable ladder systems
Dimensions:	Length:
	Width: Smanjena širina 200 mm
	Height: 85 mm
	Metal thickness: 0,80 mm
Weight:	0,14 kg
Material:	Stainless steel
Contribution to fire:	Non-flame propagating system
Electrical characteristics:	Electrically conductive system
Electrical continuity:	Yes
Corrosion resistance:	Class 9A
Temperature:	Min: -20°C; Max: +105°C