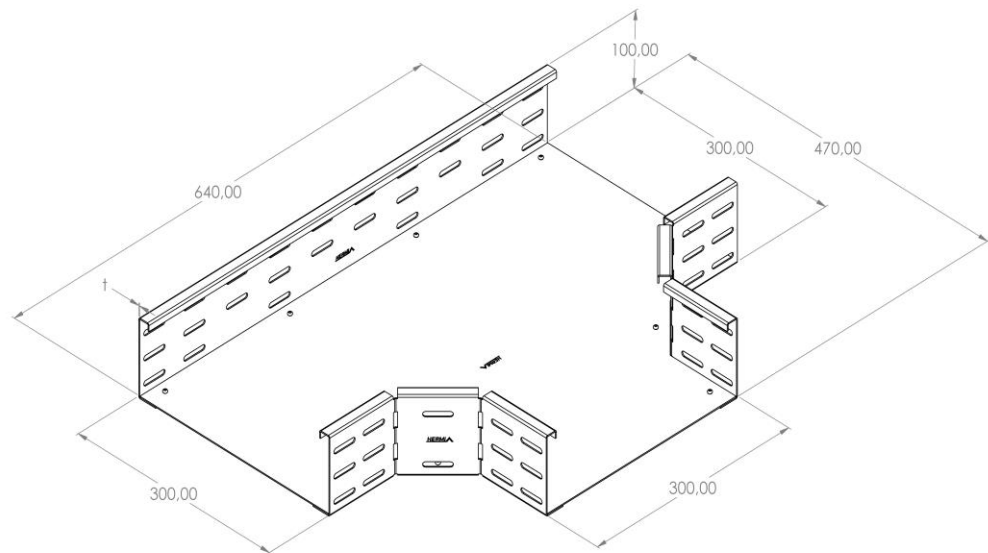


Product: PKP-SO 100/300

Product code: 88701433

Side branch



Standard:	EN 61537:2007 Cable management - Cable tray systems and cable ladder systems
Dimensions:	Length: 640 mm
	Width: 300 mm
	Height: 100 mm
	Metal thickness: 1,50 mm
Weight:	4,7 kg
Material:	Galvanised steel
Contribution to fire:	Non-flame propagating system
Electrical characteristics:	Electrically conductive system
Electrical continuity:	Yes
Corrosion resistance:	Class 3
Temperature:	Min: -20°C; Max: +105°C