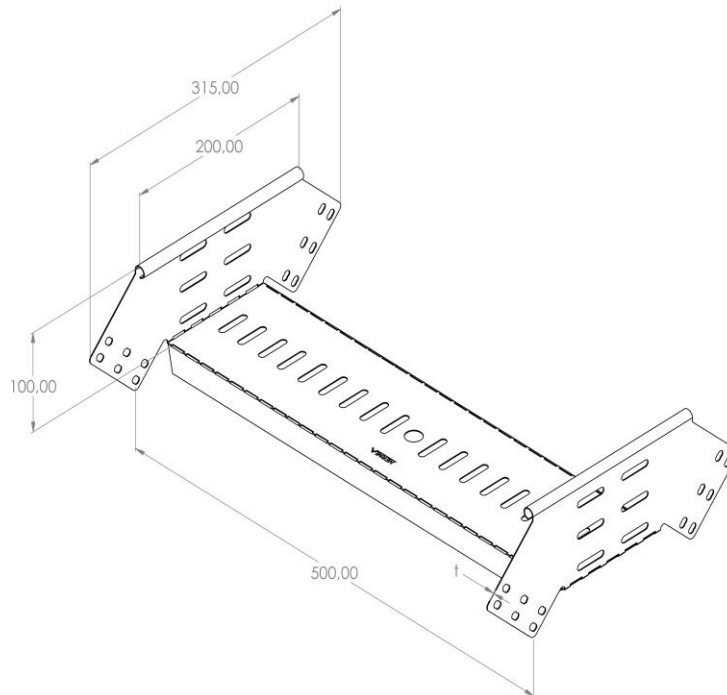


Product: PKP-ZK 100/500

Product code: 88701335

External elbow 90°



| | |
|------------------------------------|--|
| Standard: | EN 61537:2007 Cable management - Cable tray systems and cable ladder systems |
| Dimensions: | Length: 315 mm |
| | Width: 500 mm |
| | Height: 100 mm |
| | Metal thickness: 0,80 mm |
| Weight: | |
| Material: | Galvanised steel |
| Contribution to fire: | Non-flame propagating system |
| Electrical characteristics: | Electrically conductive system |
| Electrical continuity: | Yes |
| Corrosion resistance: | Class 3 |
| Temperature: | Min: -20°C; Max: +105°C |