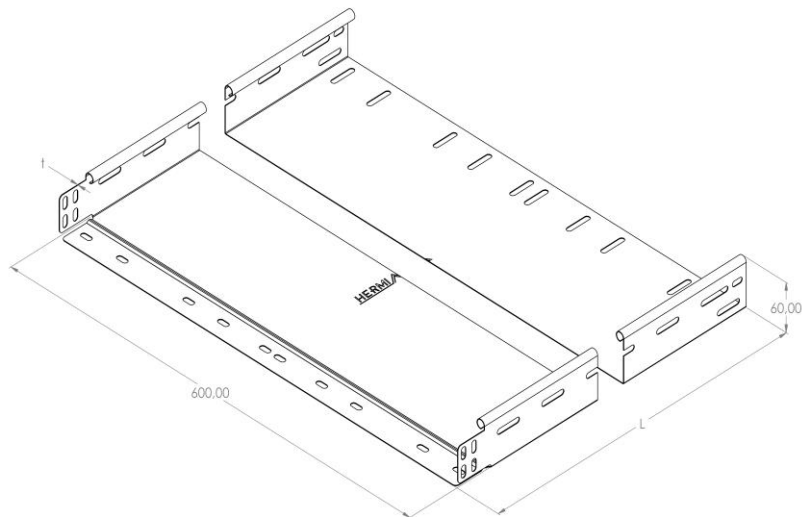


**Product:** KPU 60/600

**Product code:** 88700576

Non-perforated cable trays of 60 mm in height



<b>Standard:</b>	EN 61537:2007 Cable management - Cable tray systems and cable ladder systems
<b>Dimensions:</b>	Length: 2000 mm
	Width: 600 mm
	Height: 60 mm
	Metal thickness: 0,80 mm
<b>Weight:</b>	10,5 kg
<b>Material:</b>	Hot-dip galvanised steel
<b>Contribution to fire:</b>	Non-flame propagating system
<b>Electrical characteristics:</b>	Electrically conductive system
<b>Electrical continuity:</b>	Yes
<b>Corrosion resistance:</b>	Class 6
<b>Perforation:</b>	Class B
<b>Temperature:</b>	Min: -20°C; Max: +105°C

Permissible load KP 60/600 d=0,8mm (kN/m)

